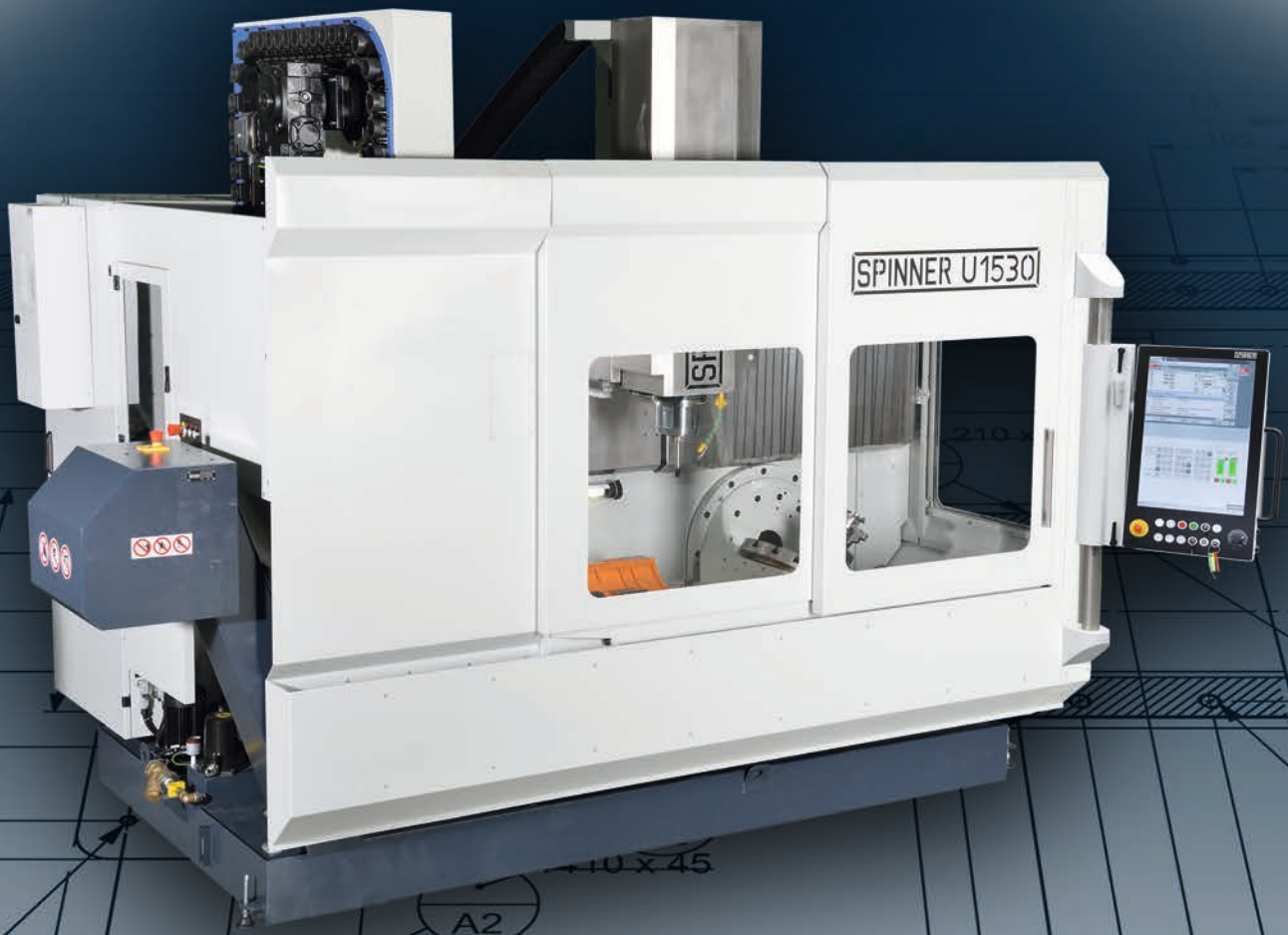


# SPINNER

# U-1530 Advanced

Universal Machining Centre



Mechanical Engineering

# Made in Germany

[www.spinner.eu.com](http://www.spinner.eu.com)  
[sales@spinner.eu.com](mailto:sales@spinner.eu.com)

# Machine Highlights

Available in 3 configurations

U3-1530: 3-axes-version with large fixed table

U4-1530: 4-axes-version with large rotary table and fixed table on left side in the working area

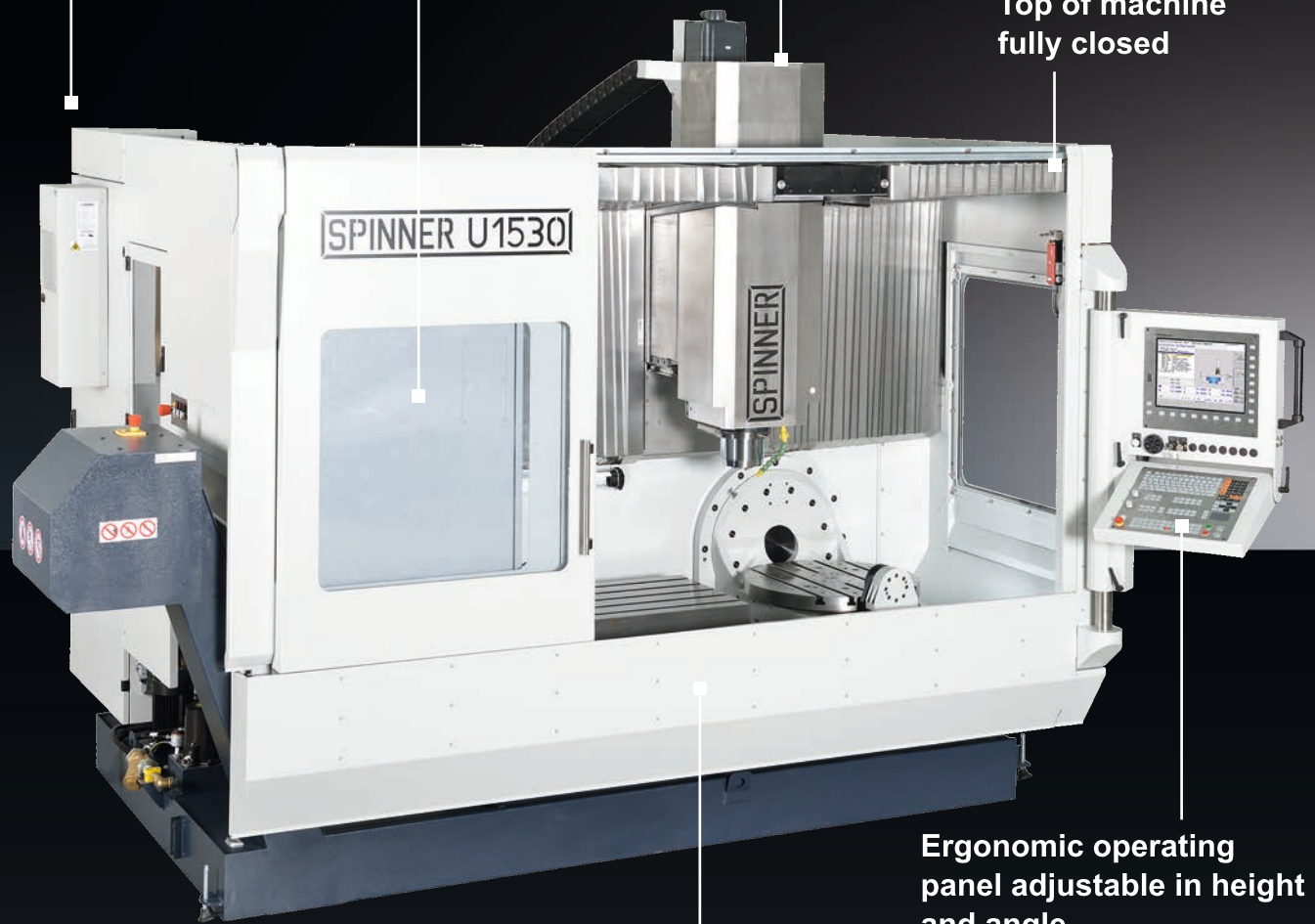
U5-1530: 5-axes-version with integrated rotary/tilting table and fixed table on left side in the working area

Tool magazine with up to 122 tools

Large panoramic windows and large access to the working area

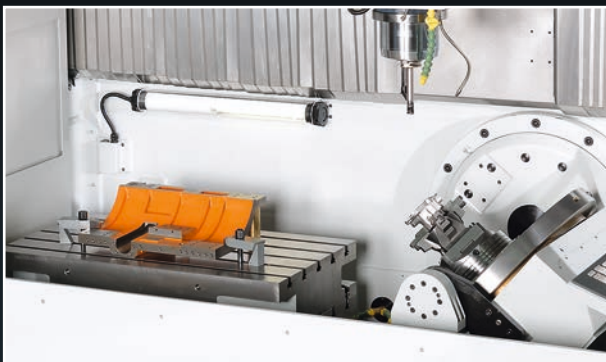
High spindle speeds

Top of machine fully closed



Ergonomic operating panel adjustable in height and angle

Compact



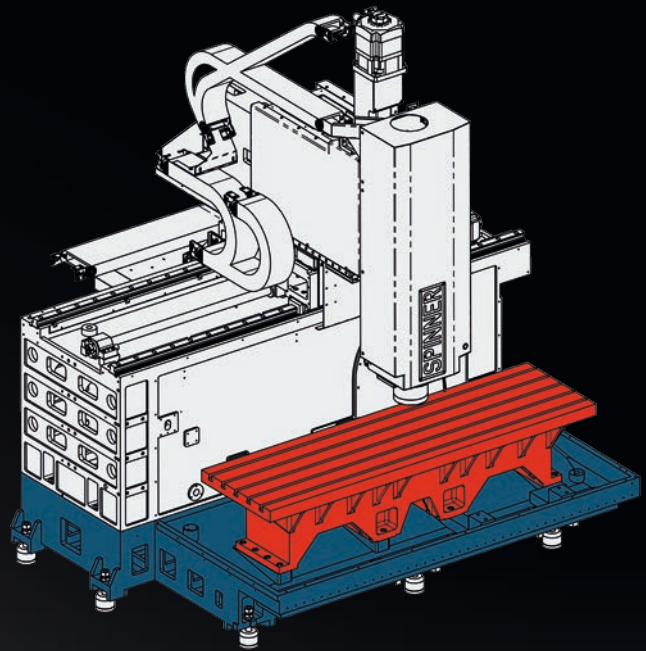
SPINNER Touchpanel 4.0



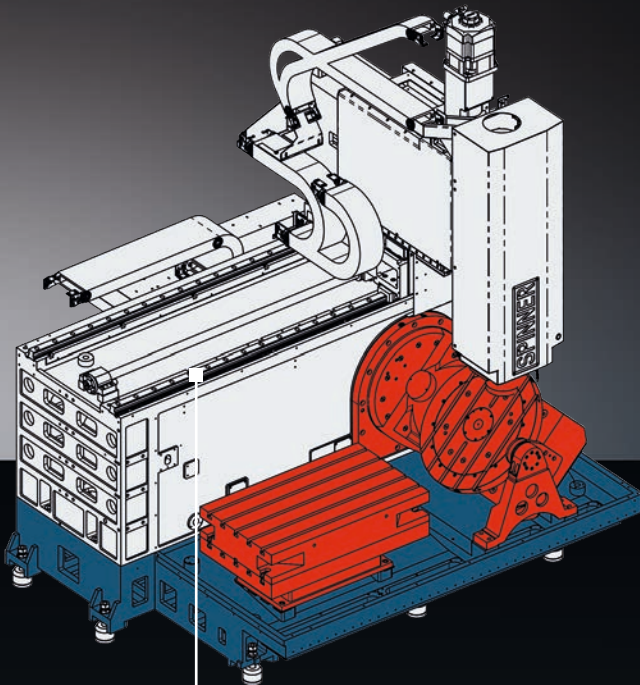
Ergonomic  
Universal  
Dynamic  
Highly precise  
Productive

5-axes simultaneous machining\*

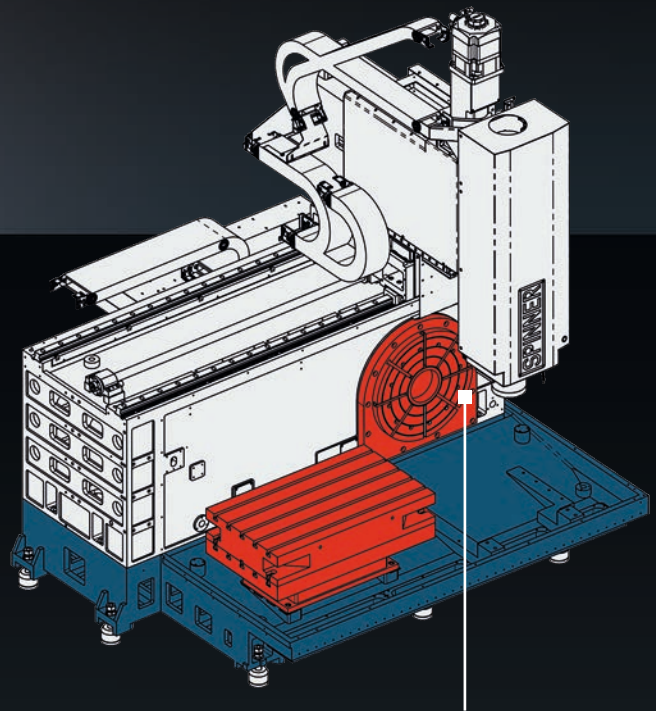
U3-1530 [Fixed table]



U5-1530 [Rotary/Tilting table]



U4-1530 [Rotary table]



All versions with  
modern linear  
guides on rigid cast  
construction

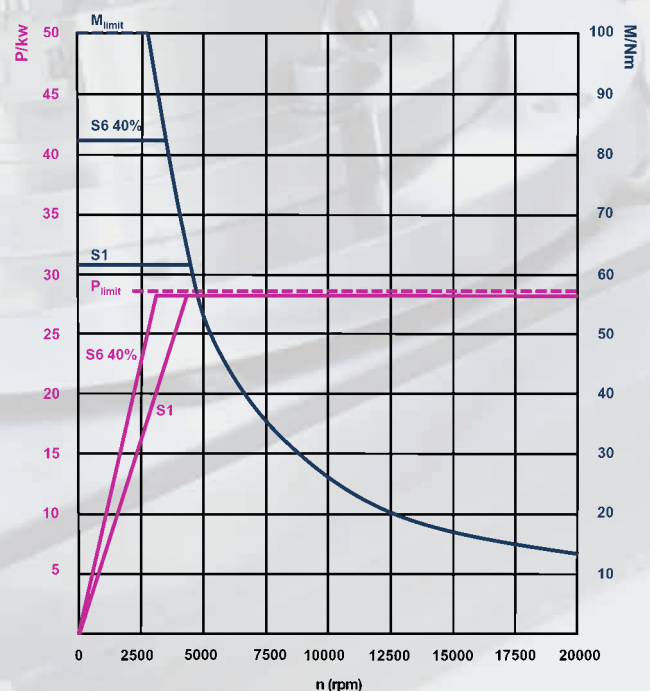
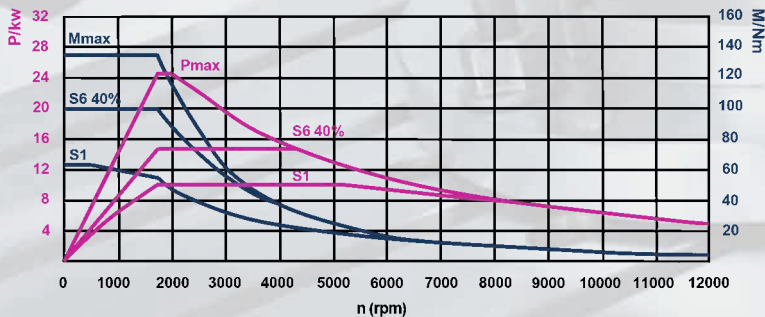


Clamping table U4-1530  
Clamping surface on both sides

\* Option

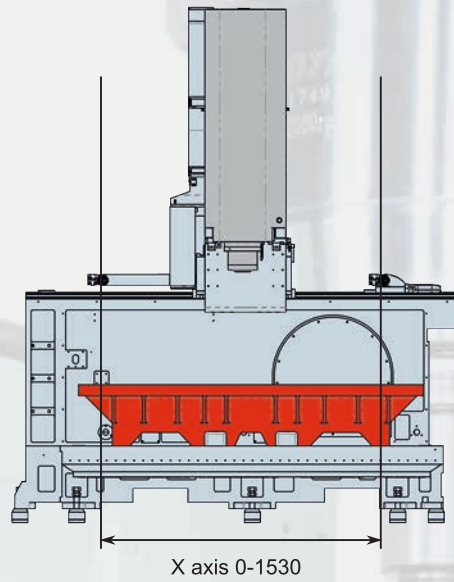
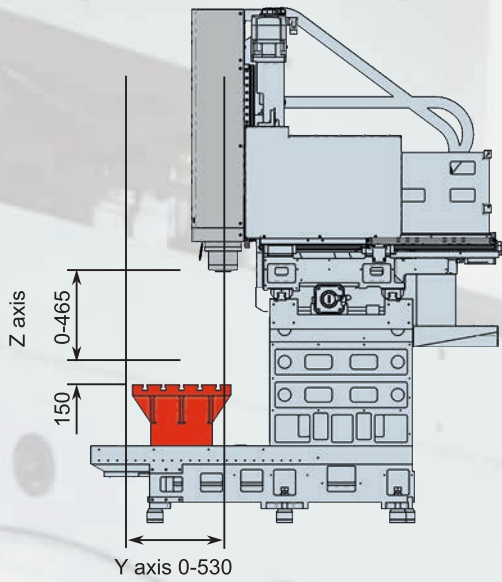
Working area	U3-1530	U4-1530	U5-1530
X axis	1530 mm		
Y axis	530 mm		
Z axis	465 mm		
<b>Table</b>			
Table dimensions	1920 x 540 mm	410 x 610 mm <sup>1)</sup> / Ø 560 mm <sup>2)</sup>	Ø 650 / 500 mm
Max. table load	2000 kg	400 kg	500 kg
T-slots	18H8	14H8	18H8
<b>Axes</b>			
Feed / rapide traverse	48 m/min		
Number of simultaneously interpolated axes	3 (4)	4	4 (5)
<b>Spindle</b>			
Max. speed	12.000/15.000 rpm (SK40), 20.000 rpm (HSK63)		
Performance P <sub>max</sub>	12.000/15.000: 25 kW; 20.000: 28 kW		
Torque M <sub>max</sub>	12.000/15.000: 135 Nm; 20.000: 100 Nm		
<b>Tool magazine</b>			
Number of tool stations	32 (option 54 / 122)		
Max. tool diameter	76 mm		
In case of free adjacent tool stations	130 mm <sup>3)</sup>		
Max. tool length	300 mm		
Max. tool weight	7 kg		
<b>General indications</b>			
Dimensions (L x T x H) <sup>4)</sup>	3650 x 2540 x 2810 mm		
Weight <sup>5)</sup>	~ 10.500 kg (according to the equipment)		

1) Clamping table, 2) Rotary table, 3) Valid for spindle speed up to 12.000 rpm, toolholder limited to 120 mm in case of spindle speeds higher than 12.000 up to 15.000 rpm, toolholder limited to 80 mm in case of spindle speeds higher than 15.000 up to 20.00 rpm ; 4) See floorplan, 5) Machine net weight

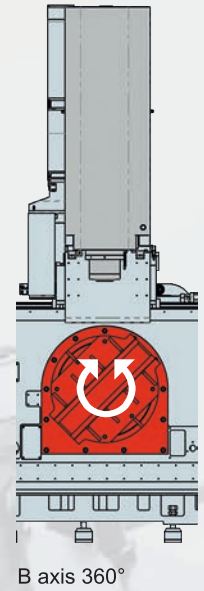
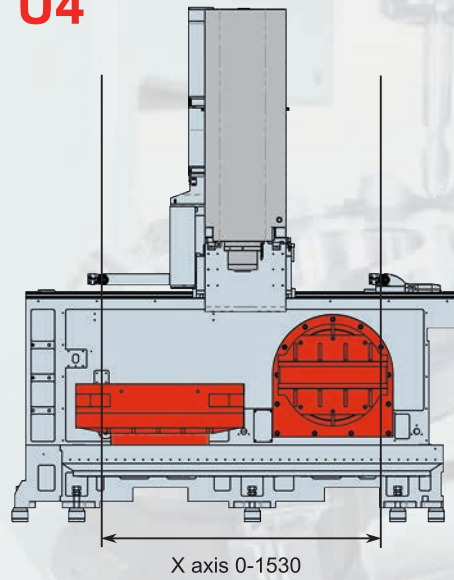
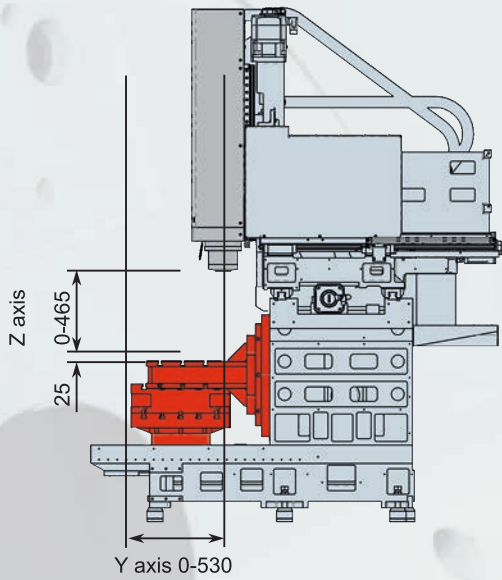




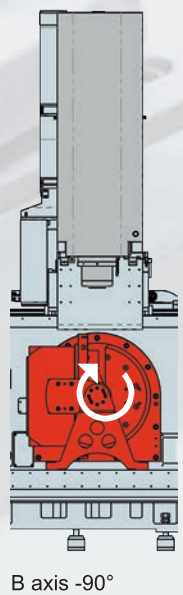
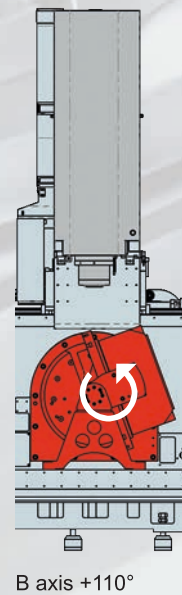
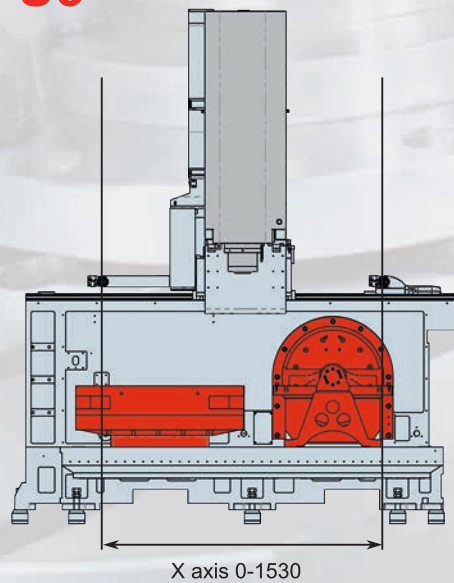
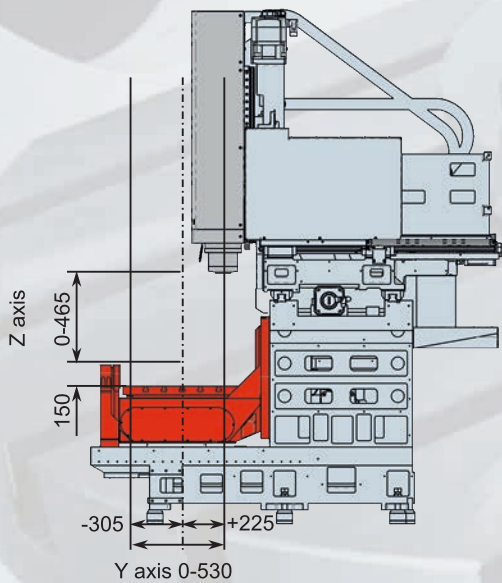
### U3



### U4



### U5



Magazine enlargement to 54 or 122 tools

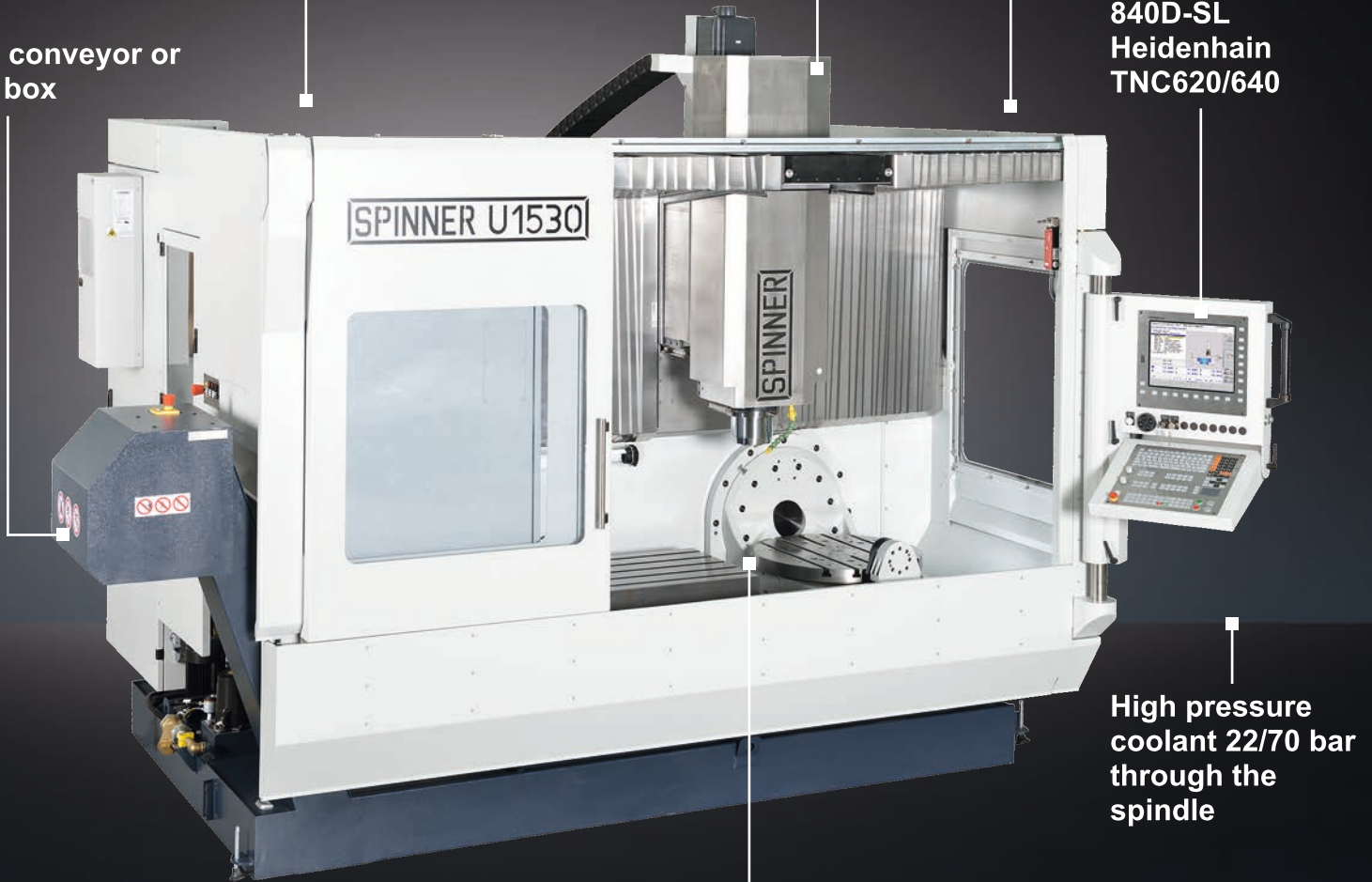
Milling spindle with 12.000/15.000 rpm (SK40) 20.000 rpm (HSK63)

Pallet changer with 5 or 9 pallets

Compressed air through the spindle

Chip conveyor or chip box

Siemens 840D-SL  
Heidenhain TNC620/640



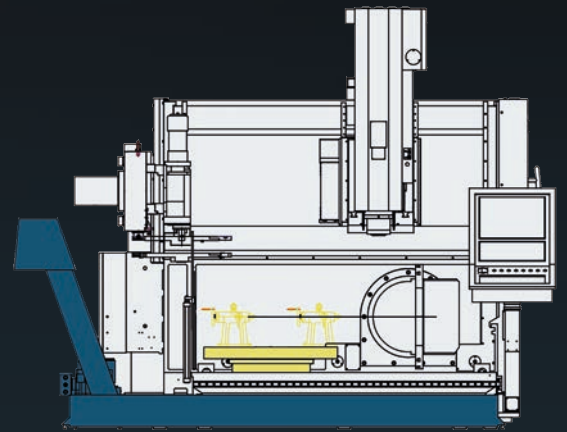
High pressure coolant 22/70 bar through the spindle

Direct measuring systems

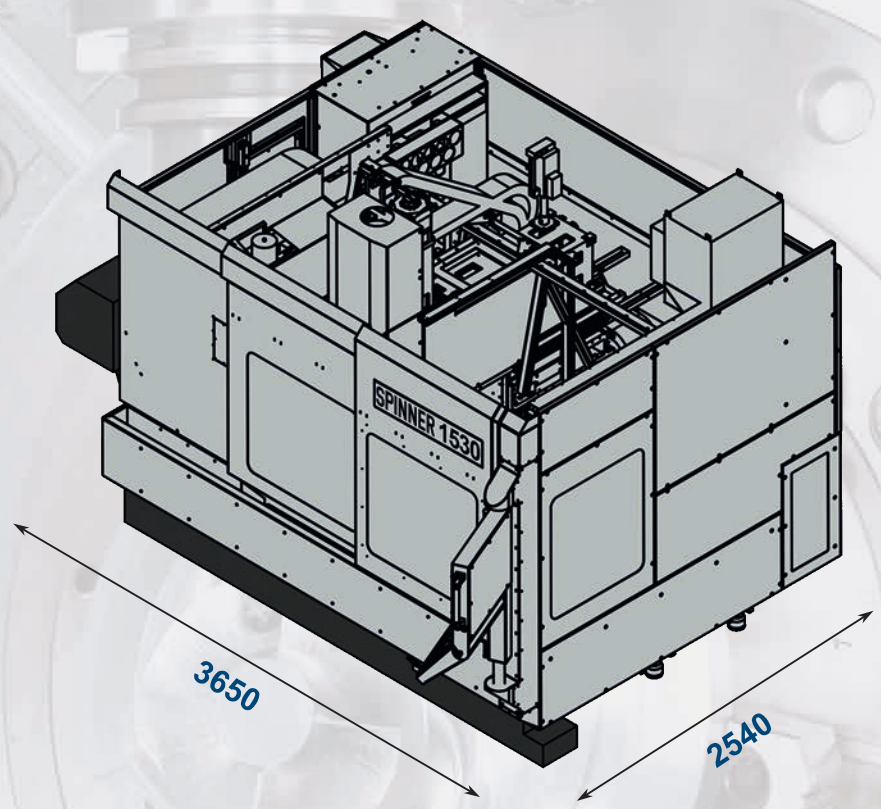
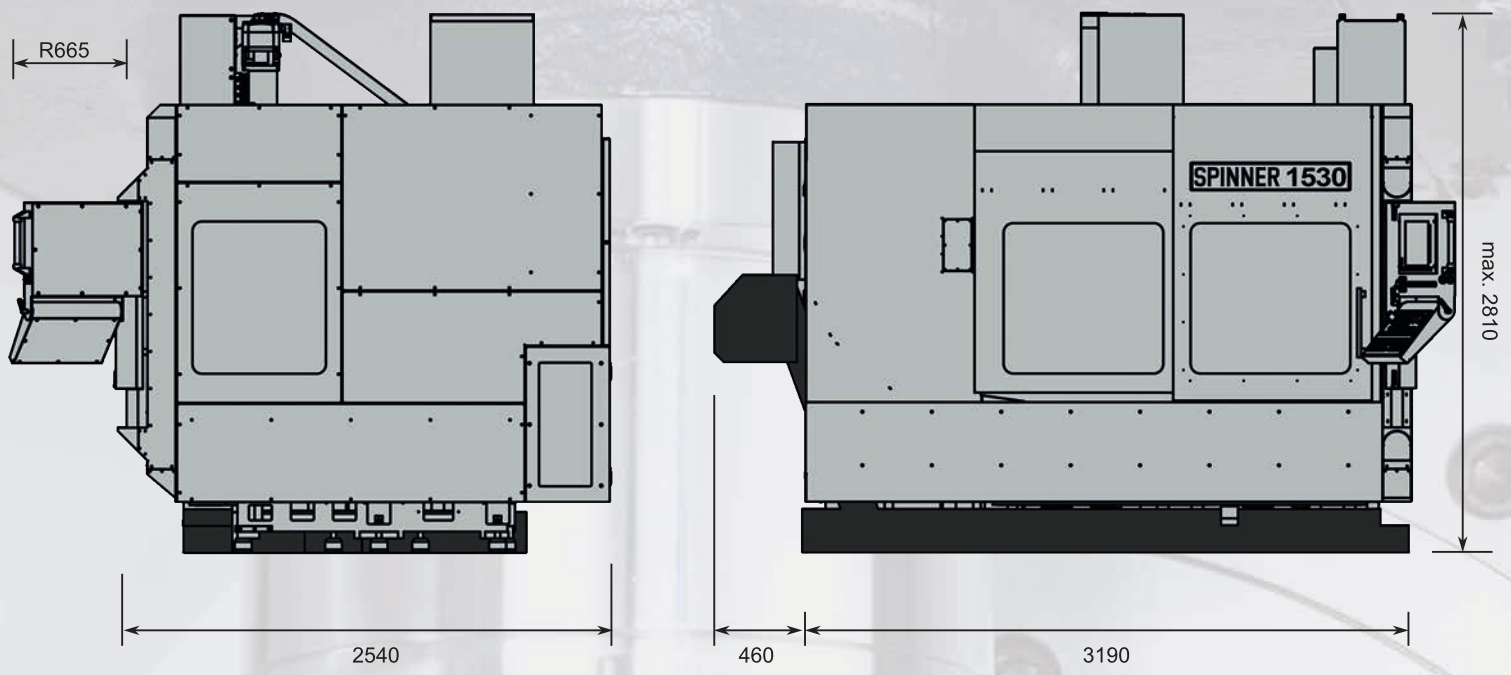
Coolant pistol in the working area

Removable table top for machining with tailstock

Clamping table for U4-1530







**Compact dimensions for low space requirement**

■ Version with standard chip conveyor



Werkzeugmaschinenfabrik GmbH



Spinner Machine-Tools are working successfully world wide with many well known clients in more than 60 countries on 6 continents. We have been fortunate enough to attract small component suppliers in addition to well known global groups in all metal machining industries.

We have designed and produced the most modern machine-tools since 1950. More than 20.000 delivered machines demonstrate their high efficiency, precision and reliability, everyday.

Although Spinner is a medium-sized enterprise we produce and sell more than 1.000 CNC machines a year. And the number is increasing every year. Our company combines the know-how of a global player with the flexibility and cost-effective structures of a family owned business.

Place your trust in our products as well and let us know what we can do for you.



Video

SPINNER Werkzeugmaschinenfabrik GmbH

Rudolf-Diesel-Ring 24

82054 Sauerlach

Tel. +49 (0) 8104 803-0

Fax +49 (0) 8104 803-19

sales@spinner.eu.com



Version 26.3.2019 (GB)

Technical changes of specifications and pictures are subject to change without notice - Pictures can include options, accessories