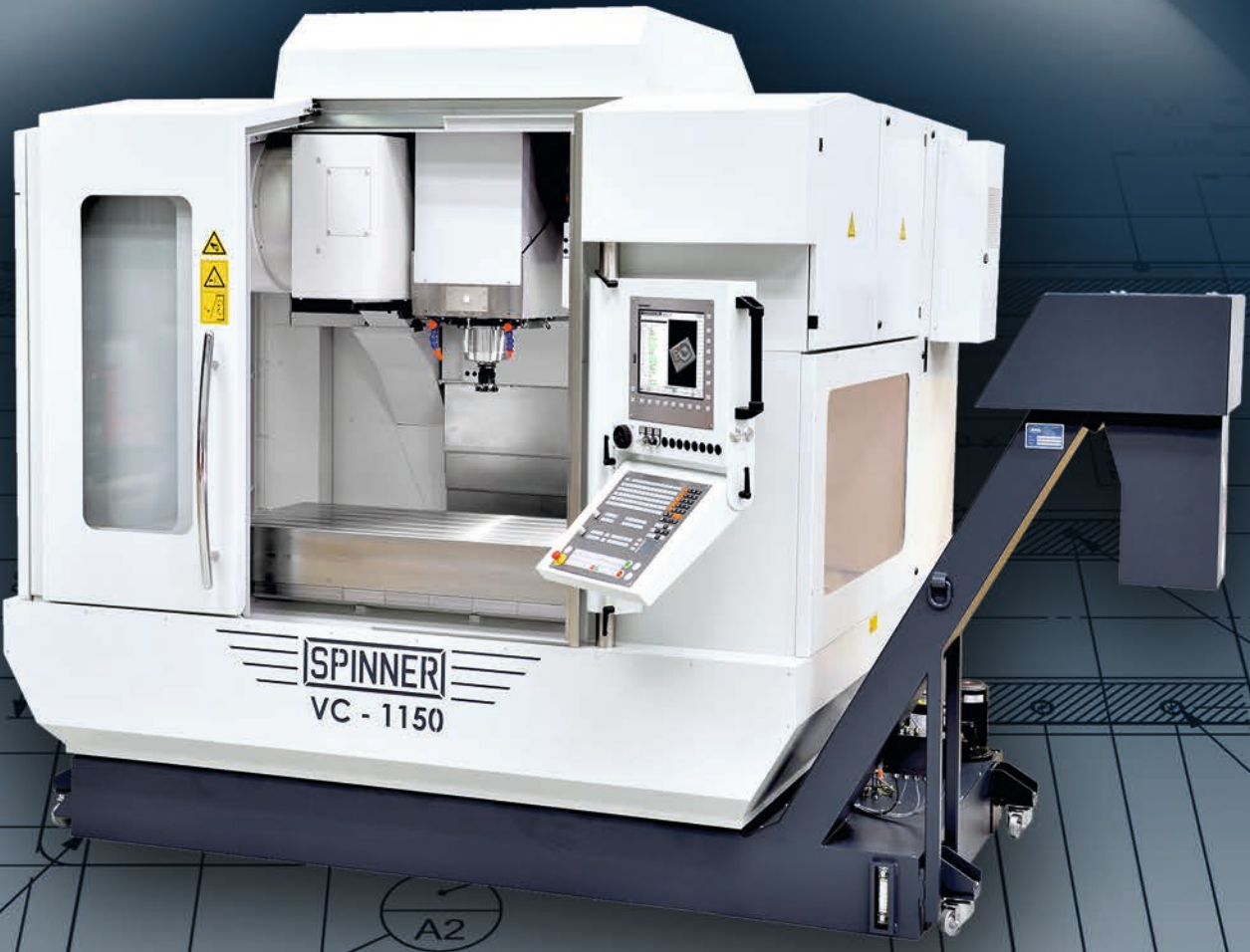


# SPINNER

# VC1150

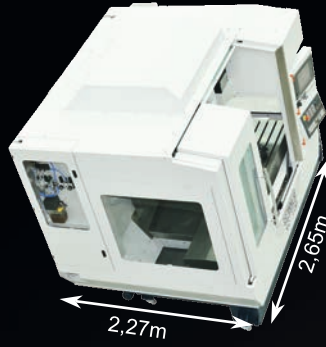
Performance Machining Centre



Mechanical Engineering

# Made in Germany

[www.spinner.eu.com](http://www.spinner.eu.com)  
[sales@spinner.eu.com](mailto:sales@spinner.eu.com)

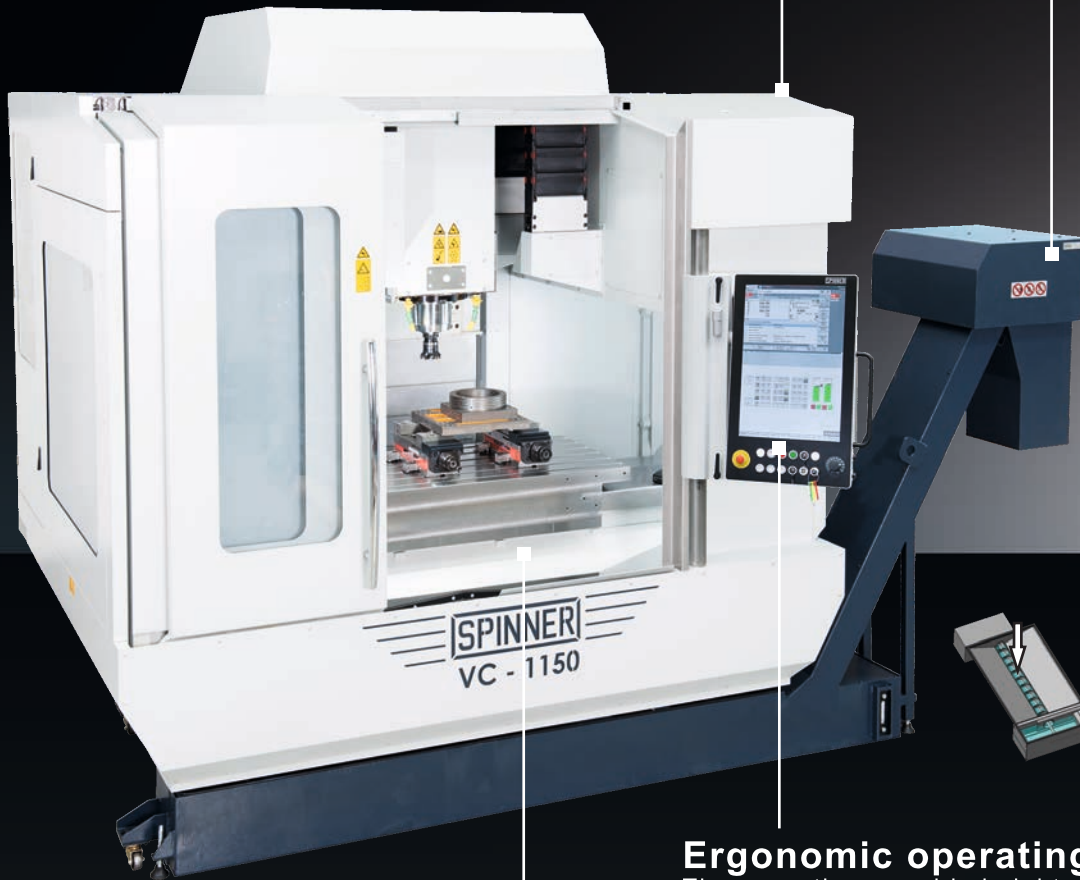


## Compact dimensions

By means of an innovative guideway cover concept the required floor space is up to 30% lower than for similar machines of the same working area.

## Optimal chip disposal

There are two additional worm conveyors for automatic chip delivery to the chip conveyor at the front of the machine.



## Small distance to the working table

The distance between the operator and the working table is only 200mm. This facilitates the easy loading.



## Ergonomic operating panel

The operating panel is height-adjustable and pivotable.



## Heidenhain TNC620/TNC640

For optimal operating comfort not only the height, but also the angle of the keyboard for the operating panel can be adapted to the operator.

Powerful  
Dynamic  
Ergonomic  
Compact  
Made in Germany

## High spindle speeds

14.000 rpm  
18.000 rpm

## Large tool magazine

32 or optionally 60 tools are available.

## Cast structure

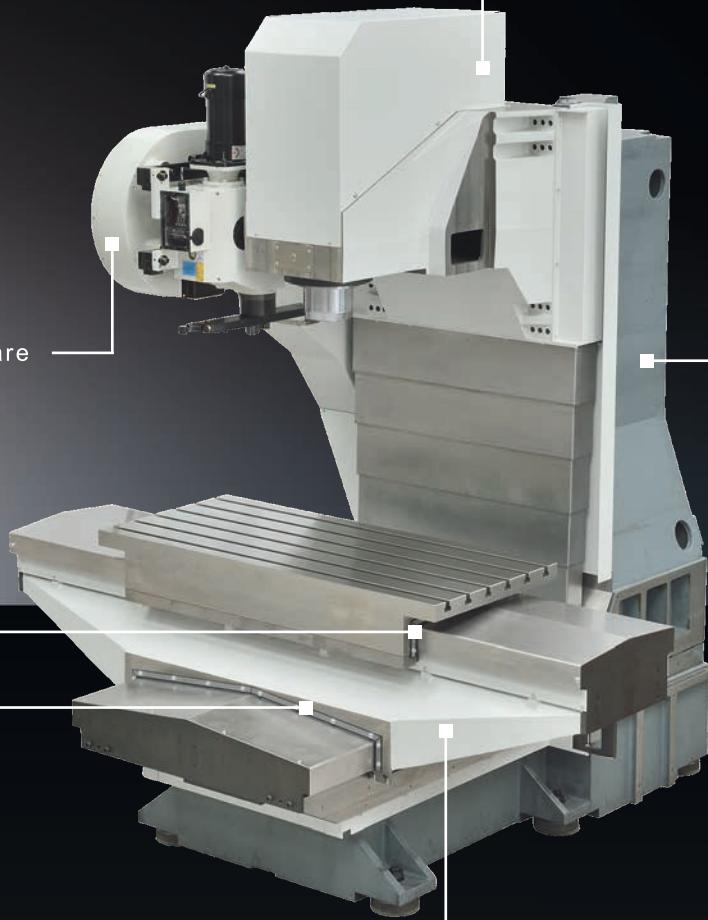
A heavy cast structure optimised by the FEM method ensures high rigidity and high cutting performance.

## Innovative guideway cover concept

With respectively only one wiper in X/Y for best guideway protection and easy maintenance instead of vulnerable cover elements.

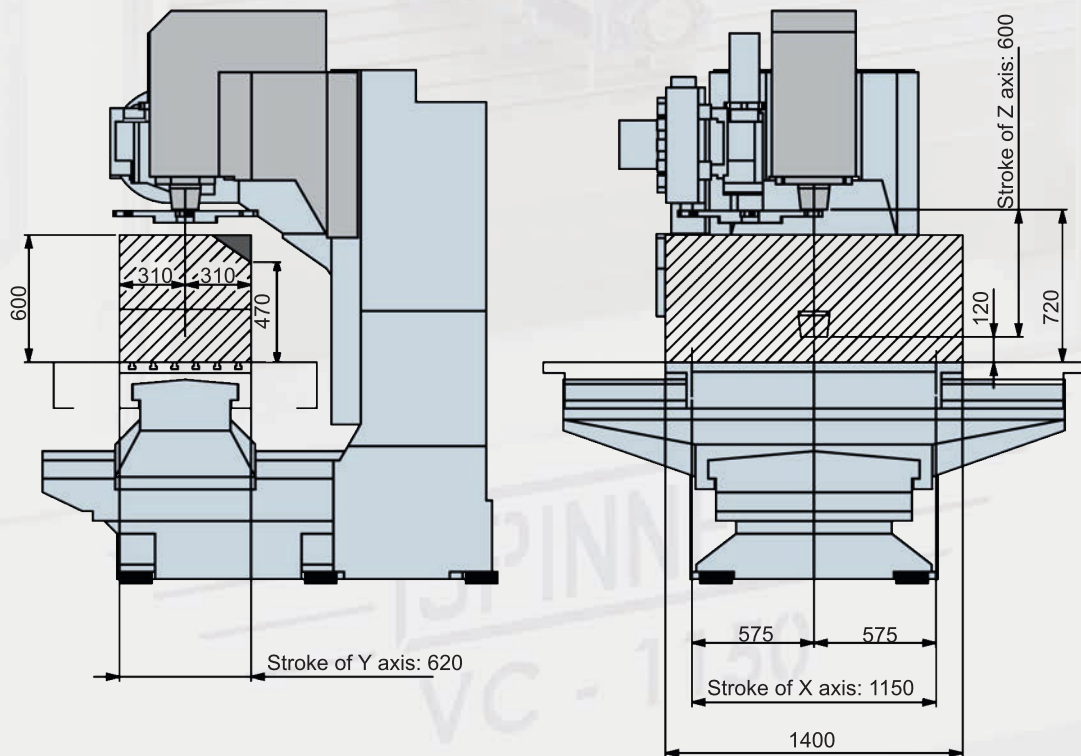
## Large ballscrews

All ballscrews are supported on both sides.

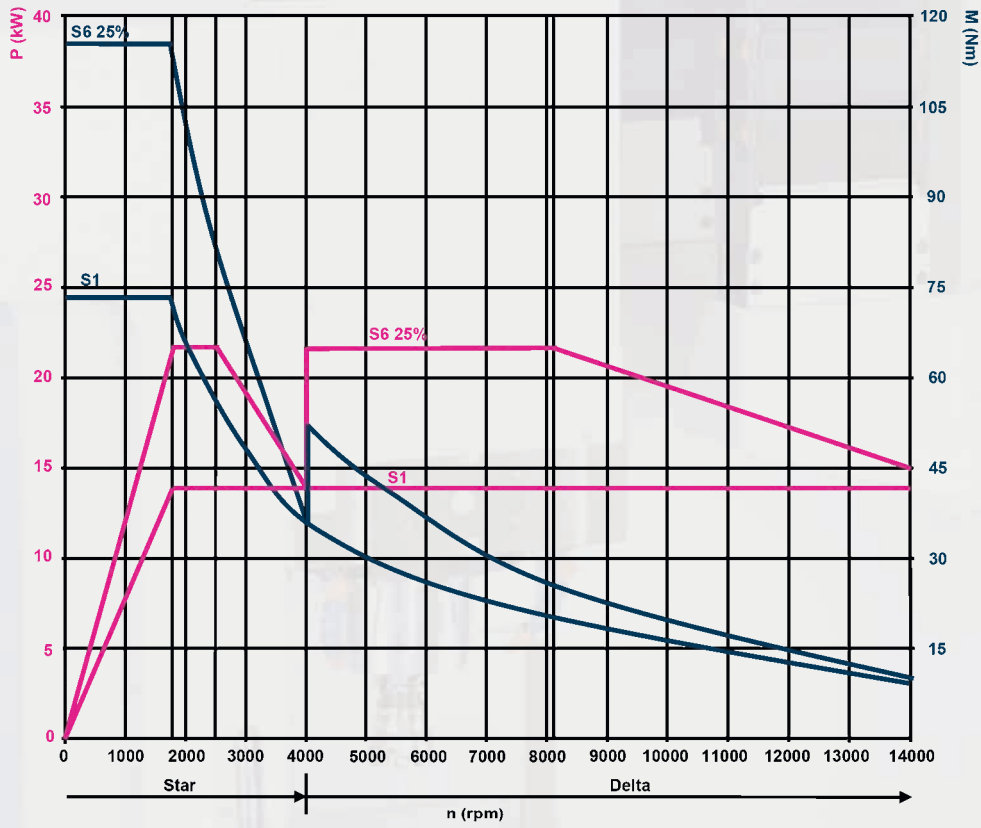


Working area		
X axis	1150 mm	
Y axis	620 mm	
Z axis	600 mm	
Min. distance spindle nose - table	120 mm	
Max. distance spindle nose - table	720 mm	
Machining table		
Table dimensions	1400 x 620 mm	
Max. table load	750 - 1500 kg	
T slots	6x 18H7	
Axes		
Feed / Rapid traverse	48 m/min	
Spindle		
Max. spindle speed	14.000 1/min	18.000 1/min
Tool taper	SK40	HSK63
Performance	22 kW (S6 25%)	35 kW (S6 25%)
Torque	117 Nm (S6 25%)	130 Nm (S6 25%)
Tool magazine		
Number of tool stations	32 +1 (optional 60 +1)	32 +1
Max. tool diameter	75 mm	
In case of free adjacent tool stations	125 mm	75 mm
Max. tool length	400 mm	
Max. tool weight	7 kg	
General indications		
Dimensions (L x W x H) *	2650 x 2270 x 2700 mm	
Weight	ca. 8.300 kg	

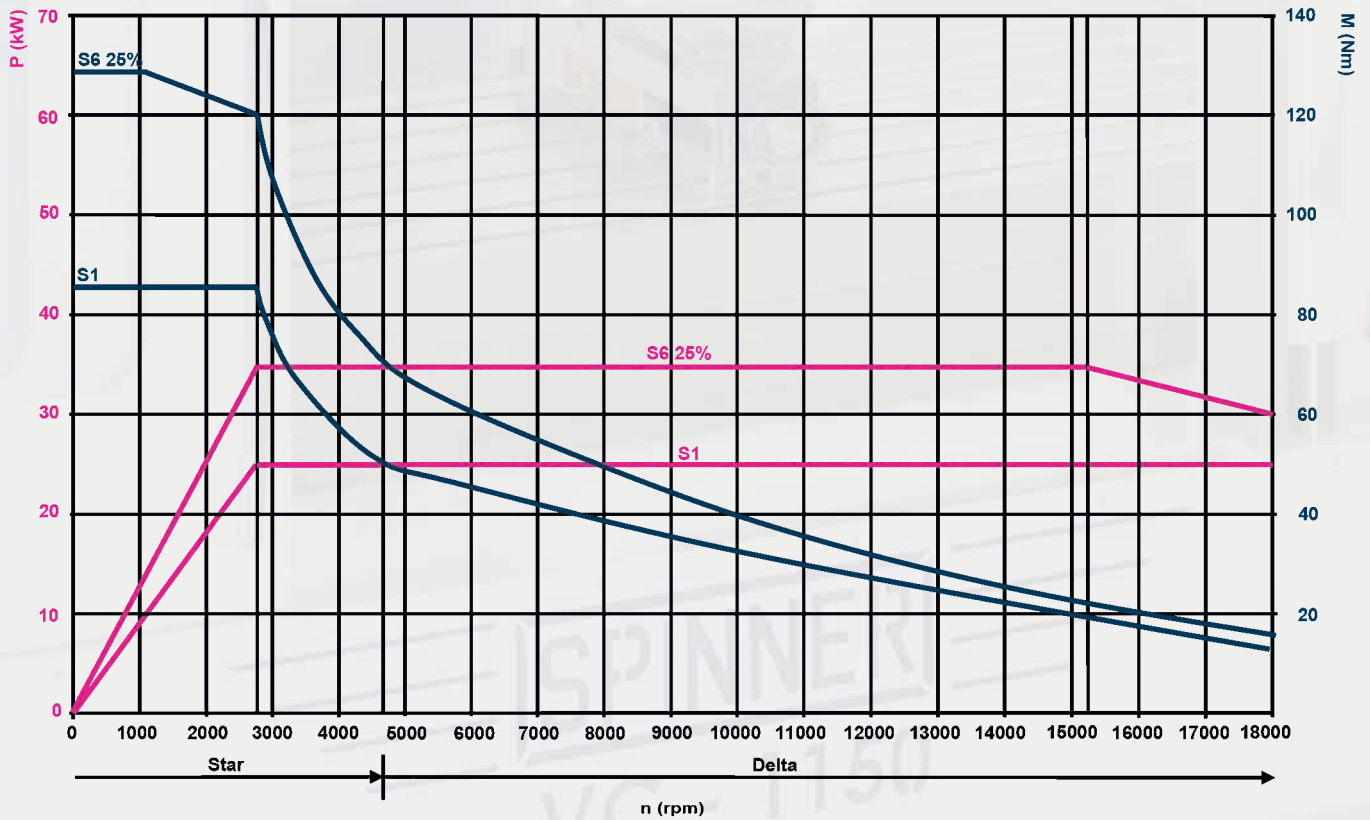
\* See floorplan

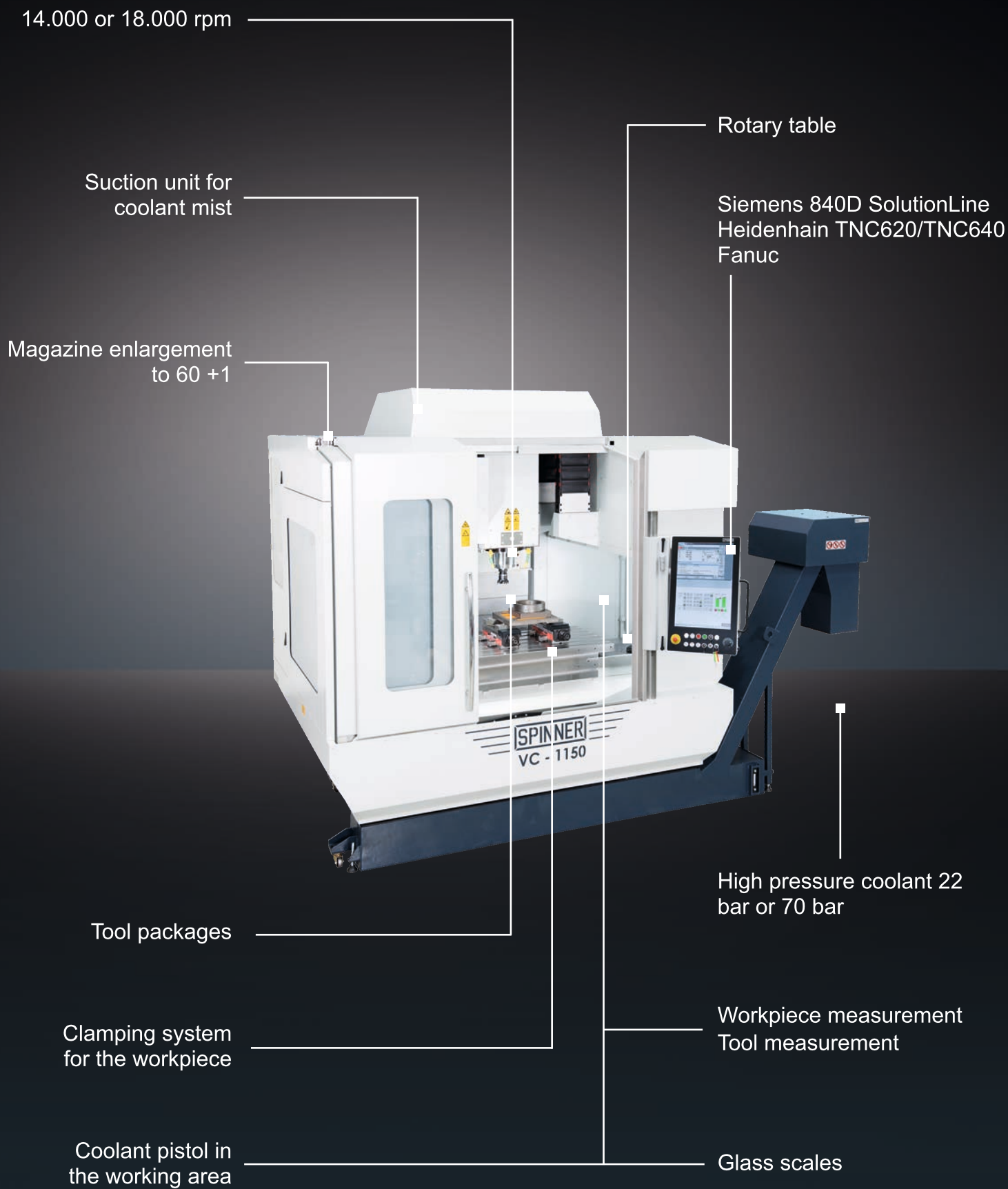


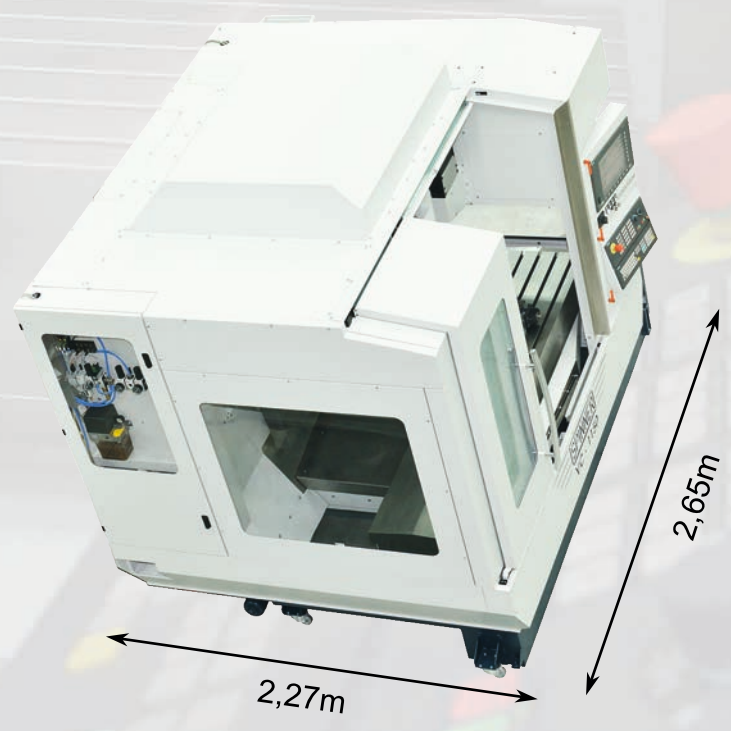
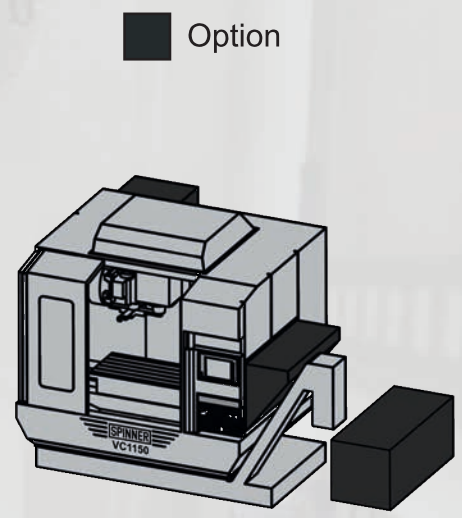
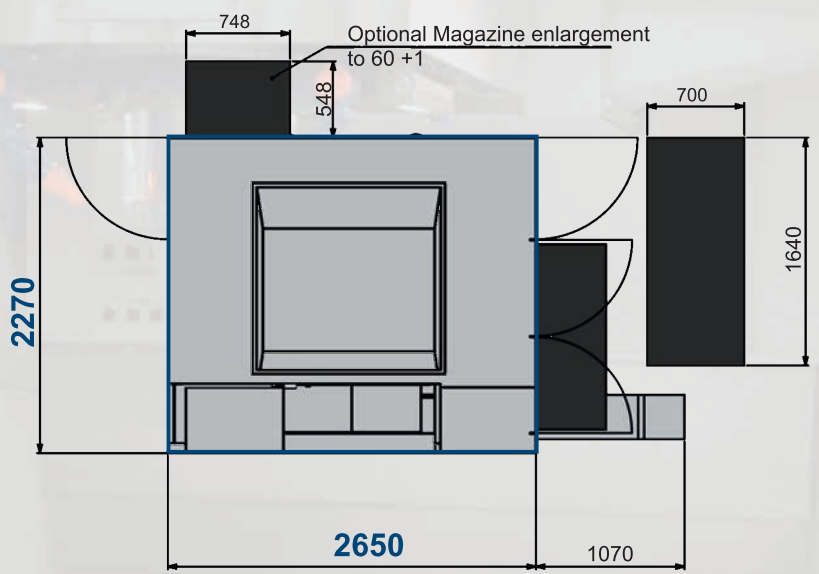
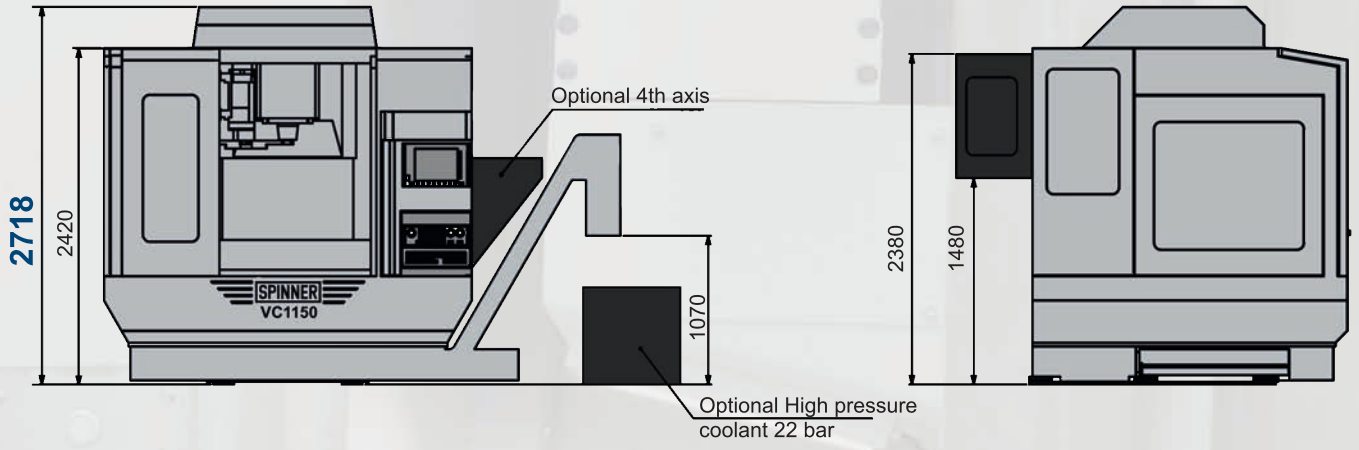
14.000 rpm



18.000 rpm









Werkzeugmaschinenfabrik GmbH



Spinner Machine-Tools are working successfully world wide with many well known clients in more than 60 countries on 6 continents. We have been fortunate enough to attract small component suppliers in addition to well known global groups in all metal machining industries.

We have designed and produced the most modern machine-tools since 1950. More than 20.000 delivered machines demonstrate their high efficiency, precision and reliability, everyday.

Although Spinner is a medium-sized enterprise we produce and sell more than 1.000 CNC machines a year. And the number is increasing every year. Our company combines the know-how of a global player with the flexibility and cost-effective structures of a family owned business.

Place your trust in our products as well and let us know what we can do for you.



Video

SPINNER Werkzeugmaschinenfabrik GmbH

Rudolf-Diesel-Ring 24

82054 Sauerlach

Tel. +49 (0) 8104 803-0

Fax +49 (0) 8104 803-19

sales@spinner.eu.com



Stand 3.7.2018

Technical changes of specifications and pictures are subject to change without notice - Pictures can include options, accessories